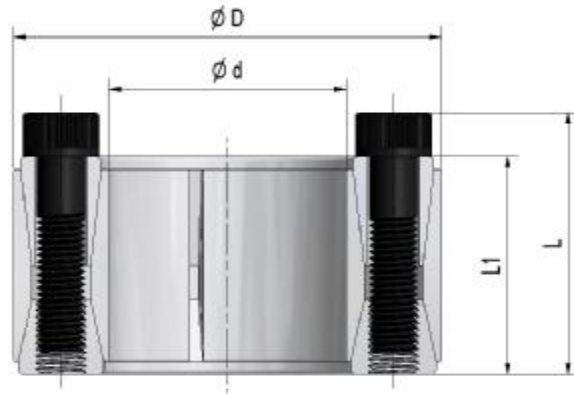
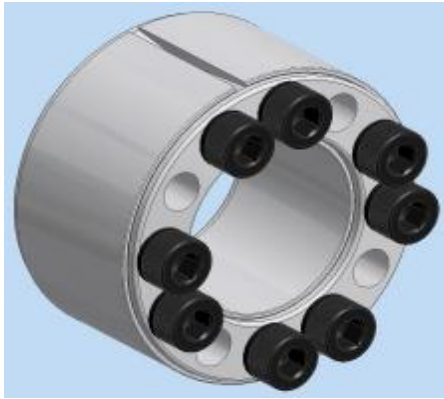


Locking assembly MAV 2500

rev. 1



Medium-high torque capacity
 Self-locking & self-centering
 Axial fixation of hub during tightening: yes
 Max tolerances: shaft h9; hub bore H9
 Shaft / hub bore max surface finish: $R_a \leq 3.2 \mu\text{m}$

Example of order: MAV2500 - 70 x 120 (d x D)

M_a : screw tightening torque
 M_t : transmissible torque ($F_{ax}=0$)
 F_{ax} : transmissible axial load ($M_t=0$)
 p_s : shaft pressure
 p_h : hub pressure

DIMENSIONS				SCREWS UNI 5931 - 12.9		PERFORMANCES				WEIGHT	
d	x	D	L ₁	L	size	M _a	M _t	F _{ax}	P _s	P _h	kg
mm	mm	mm	mm	mm		Nm	Nm	kN	N/mm ²	N/mm ²	
45	x	85	50	60	M 10	83	3000	134	231	122	1,4
50	x	90	50	60	M 10	83	3300	134	208	116	1,5
55	x	95	50	60	M 10	83	3700	133	189	110	1,6
60	x	100	50	60	M 10	83	4000	132	173	104	1,7
65	x	115	62	74	M 12	145	6300	195	199	113	3,0
70	x	120	62	74	M 12	145	6800	194	185	108	3,1
80	x	130	62	74	M 12	145	11500	288	243	149	3,5
90	x	140	62	74	M 12	145	12900	286	216	139	4,0
100	x	160	80	94	M 14	230	19400	387	201	125	6,7
110	x	170	80	94	M 14	230	24700	449	213	138	7,2
120	x	180	80	94	M 14	230	28700	479	209	139	7,8
130	x	190	80	94	M 14	230	31000	476	193	132	8,3
140	x	200	80	94	M 14	230	37600	538	203	142	8,7
150	x	210	80	94	M 14	230	42500	567	201	143	9,3
160	x	230	94	110	M 16	355	58500	731	201	140	14
170	x	240	94	110	M 16	355	65600	771	200	142	15
180	x	250	94	110	M 16	355	76900	854	210	151	16
190	x	260	94	110	M 16	355	84900	894	209	153	17
200	x	270	94	110	M 16	355	97600	976	218	161	18
220	x	300	116	134	M 18	485	117000	1070	181	133	27
240	x	320	116	134	M 18	485	145000	1210	190	142	29
260	x	340	116	134	M 18	485	170000	1310	190	145	32
280	x	370	136	156	M 20	690	217000	1550	182	138	46
300	x	390	136	156	M 20	690	231000	1540	170	131	49

Information subject to change without prior notification, © MAV S.p.A.