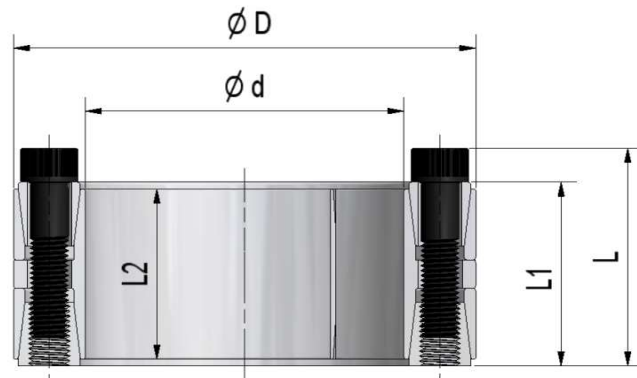


Locking Assembly MAV 4071

rev. 0



Medium-high torque capacity

Self-locking & self-centering

Axial fixation of hub during tightening: yes

Max tolerances: shaft h8; hub bore H8

Shaft / hub bore surface finish: $0.8 \leq Ra \leq 3.2 \mu\text{m}$

Ma: screw tightening torque
 Mt: transmissible torque (Fax=0)
 Fax: transmissible axial load (Mt=0)
 Ps: shaft pressure

Example of order: MAV 4071 - 100 x 145 (d x D)

DIMENSIONS					SCREWS ISO 4762 - 12.9		PERFORMANCES				WEIGHT	
d	x	D	L2	L1	L	size	Ma	Mt	Fax	Ps	Ph	kg
mm		mm	mm	mm	mm		Nm	Nm	kN	MPa	MPa	
100	x	145	60	65	77	M 12	145	14.400	288	191	132	3,7
110	x	155	60	65	77	M 12	145	15.800	288	174	123	4,0
120	x	165	60	65	77	M 12	145	20.700	346	191	139	4,4
130	x	180	68	74	86	M 12	145	28.100	432	197	142	6,0
140	x	190	68	74	86	M 12	145	36.300	518	219	161	6,5
150	x	200	68	74	86	M 12	145	38.900	518	205	154	6,9
160	x	210	68	74	86	M 12	145	48.400	605	224	171	7,2
170	x	225	75	81	95	M 14	230	60.100	707	219	165	9,4
180	x	235	75	81	95	M 14	230	63.600	707	207	159	10
190	x	250	88	94	108	M 14	230	74.600	786	185	141	13
200	x	260	88	94	108	M 14	230	94.300	943	211	162	14
220	x	285	98	104	120	M 16	355	109.000	987	177	137	18
240	x	305	98	104	120	M 16	355	158.000	1.316	216	170	20
260	x	325	98	104	120	M 16	355	178.000	1.370	208	166	22
280	x	355	120	126	144	M 18	485	223.000	1.595	184	145	32
300	x	375	120	126	144	M 18	485	249.000	1.662	179	143	34
320	x	405	135	142	162	M 20	690	344.000	2.147	199	157	47
340	x	425	135	142	162	M 20	690	365.000	2.147	187	150	50
360	x	455	158	165	187	M 22	930	480.000	2.665	174	138	69
380	x	475	158	165	187	M 22	930	506.000	2.665	165	132	73
400	x	495	158	165	187	M 22	930	533.000	2.665	157	127	77
420	x	515	158	165	187	M 22	930	672.000	3.198	179	146	81
440	x	545	172	180	204	M 24	1.200	818.000	3.716	186	150	101
460	x	565	172	180	204	M 24	1.200	855.000	3.716	178	145	105
480	x	585	172	180	204	M 24	1.200	951.000	3.964	182	149	110
500	x	605	172	180	204	M 24	1.200	991.000	3.964	174	144	113
520	x	630	190	200	227	M 27	1.600	1.120.000	4.320	170	140	138
540	x	650	190	200	227	M 27	1.600	1.170.000	4.320	164	136	144
560	x	670	190	200	227	M 27	1.600	1.210.000	4.320	158	132	150
580	x	690	190	200	227	M 27	1.600	1.250.000	4.320	152	128	155
600	x	710	190	200	227	M 27	1.600	1.380.000	4.608	157	133	160